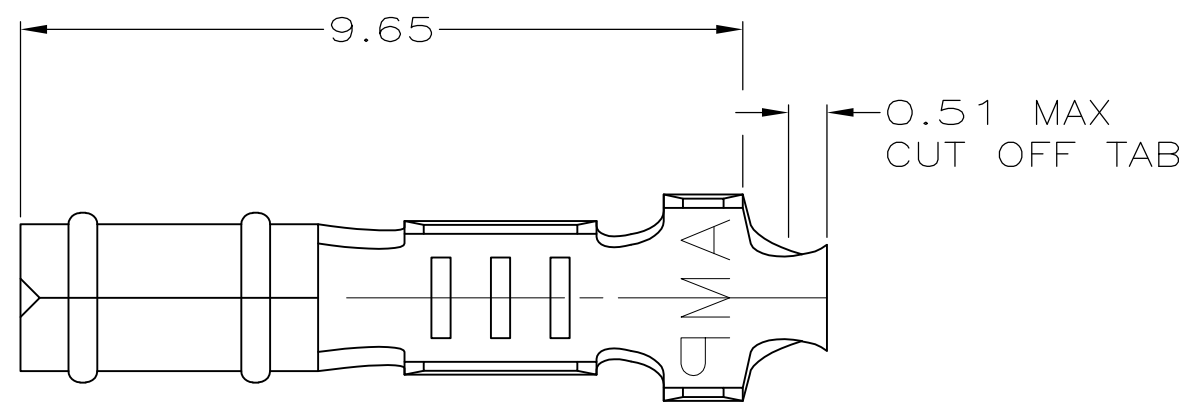


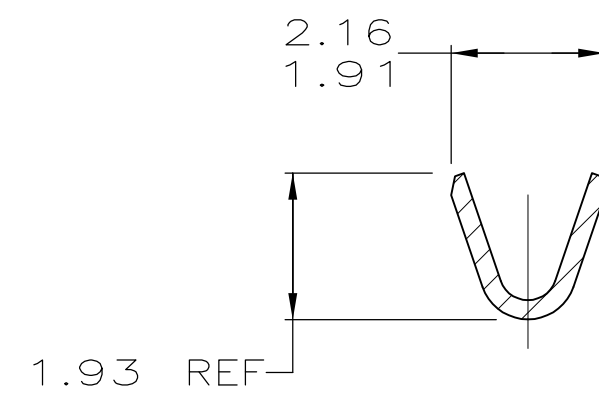
THIS DRAWING IS UNPUBLISHED. RELEASED FOR PUBLICATION
 © COPYRIGHT - By - ALL RIGHTS RESERVED.

| LOC | | DIST | | REVISIONS | | | |
|-----|-----|-------------|---------------------------|-----------|---------|------|-----|
| P | LTR | DESCRIPTION | | DATE | DWN | APVD | |
| CM | 52 | AE1 | REVISED PER ECO-11-004917 | | 11MAR11 | RK | HMR |

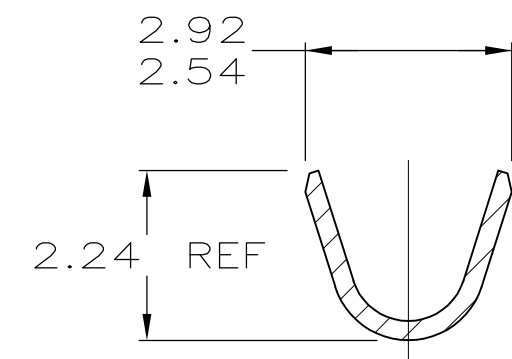
- ① 0.00038 MIN SELECTIVE GOLD PLATING ON INSIDE OF RECEPTACLE AND WIRE BARREL OVER NICKEL OVER ALL UNDERPLATE.
- ② 0.00076 MIN SELECTIVE GOLD PLATING ON INSIDE OF RECEPTACLE AND WIRE BARREL OVER NICKEL OVER ALL UNDERPLATE.
- 3. WIRE RANGE: 0.2 - 0.6 MM² (24 - 20 AWG)
- 4. INSULATION RANGE: 1.14 - 1.78



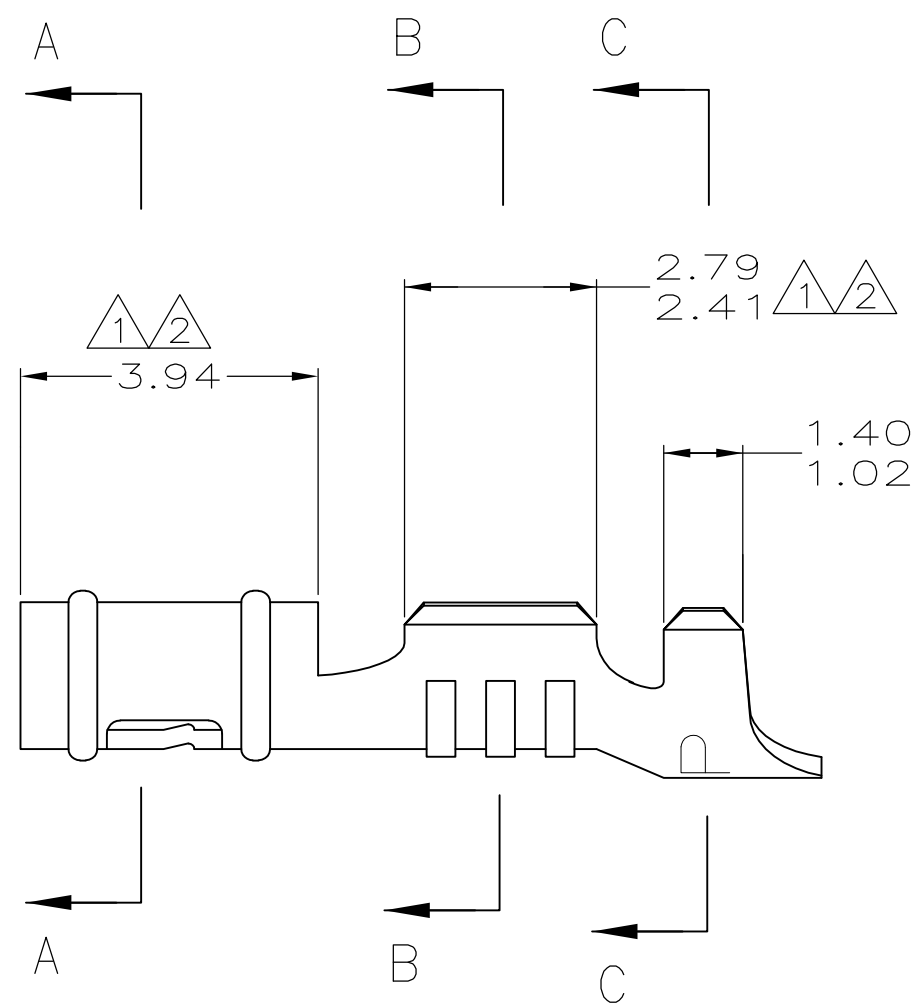
SECTION A-A



SECTION B-B



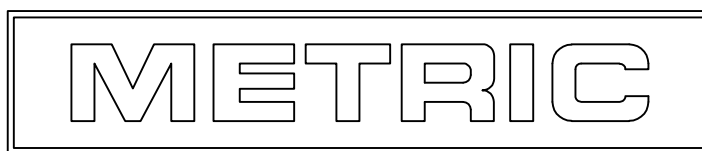
SECTION C-C



| | | |
|-----------|-------------|-------------|
| ① | 0.25 BE CU | 60789-8 |
| ② | 0.25 PH BRZ | 60789-3 |
| MATTE TIN | 0.25 BE CU | 60789-2 |
| PRE-TIN | 0.25 PH BRZ | 60789-1 |
| FINISH | MATERIAL | PART NUMBER |

| | | | | | | | |
|---------|---------|-------|-------|------|------|------|------|
| 1.02 | .040 | 1.78 | .070 | 2.54 | .100 | - | - |
| 0.51 | .020 | 1.486 | .0585 | 2.41 | .095 | - | - |
| 0.25 | .010 | 1.47 | .058 | 2.24 | .088 | 9.65 | .380 |
| 0.13 | .005 | 1.40 | .055 | 2.16 | .085 | 3.94 | .155 |
| 0.00076 | .000030 | 1.359 | .0535 | 1.93 | .076 | 2.92 | .115 |
| 0.00038 | .000015 | 1.14 | .045 | 1.91 | .075 | 2.79 | .110 |
| MM | IN | MM | IN | MM | IN | MM | IN |

CONVERSION TABLE



THIS DRAWING IS A CONTROLLED DOCUMENT.

| | | | | | | | |
|-------------|--|------------------|---------|--|-----------|------------|---------------|
| DIMENSIONS: | TOLERANCES UNLESS OTHERWISE SPECIFIED: | DWN | 6-11-97 | TE Connectivity | | | |
| mm | | T. BECK | | | | | |
| | | CHK | 6-11-97 | | | | |
| | | R. SWING | | | | | |
| | | APVD | 6-17-97 | NAME A. BEDDICK PRODUCT SPEC 108-1025 APPLICATION SPEC 114-1008 | | | |
| | | FINISH | | | | | |
| MATERIAL | SEE TABLE | WEIGHT | - | SIZE | CAGE CODE | DRAWING NO | RESTRICTED TO |
| SEE TABLE | SEE TABLE | CUSTOMER DRAWING | | A2 | 00779 | C-60789 | - |
| | | SCALE | 10:1 | SHEET | 1 of 1 | REV | AE1 |